

Stationary Upper Platen, Movable Lower Platen Type Vertical Injection Molding Machine Model : SAV - 100 - 75 - P

General Purpose Vertical Injection Molding Machine
which was creatively developed in Japan 36 years ago.
A most popular vertical machine for insert-molding.
Applicable for general products to precision ones.

◆ Injection Unit

- * Vertical Inline-screw
- * Programmed Injection Control
- * Back Pressure Control
- * Screw Suck-back
- * 4 Zone Barrel Temperature Control
- * Nozzle Retracting by Cylinders

◆ Clamping Unit

- * Direct Hydraulic Clamp with booster
- * High precision oilless guide bush
- * Programmed Clamp Control
- * Reliable Mechanical Stop Ejector
- * Stepless Mechanical Safety Rod

◆ Electronic Control Unit

- * SANTROL 3500 Process Controller
- * Touch-Panel EL-LCD For
Programming Conditions
- * With Monitor/Alarm Function

◆ Hydraulic Unit

- * Variable Displacement Axial Plunger
Pump For Power Saving
- * Maintenance Easy Hydraulic System
- * Large Capacity Oil Reservoir
And Oil Cooler
- * Oil Cleaning System Eliminating
Through Life Oil-Exchange

◆ Ancillary Equipment (Option)

- * Hopper Drier or Hopper With Heater
- * Nozzle Pressure Monitor
- * Mold Temperature Controller
- * Automation System For Application
- * Special Injection Barrel Unit



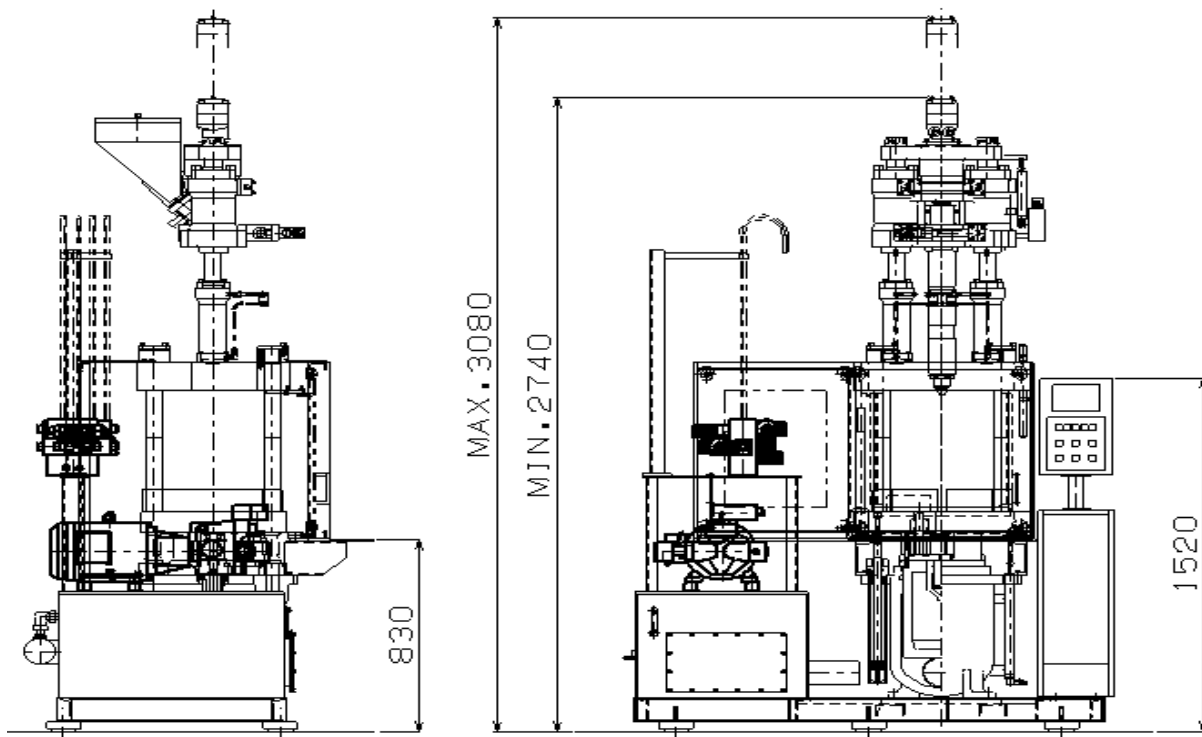
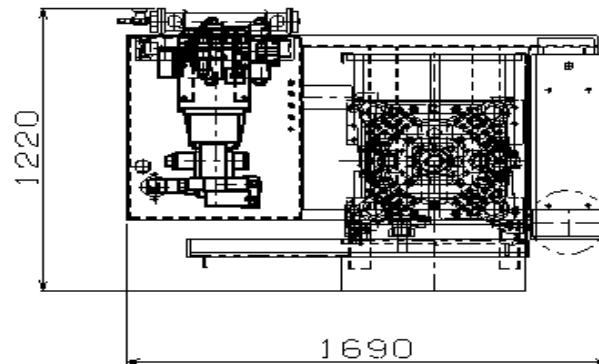
SANJO SEIKICO.,LTD.
— INJECTION MACHINES, MOLD & RELATED EQUIPMENTS —

Stationary Upper Platen, Movable Lower Platen Type Vertical Injection Molding Machine

Model : SAV - 100 - 75 - P

Specifications

Screw Diameter	mm	32	36	40	Clamping Force	kN	750
Injection Capacity	cm ³	60	80	100	Heater Capacity	kW	Approx. 5.0
Injection Pressure	MPa	220	175	142	Motor Capacity	kW	5.5
Injection rate	cm ³ /sec	36	45	56	Machine Weight	t	Approx. 1.8
Plasticizing capacity	Kg/h	22	24	29			



SANJO SEIKICO., LTD.
— INJECTION MACHINES, MOLD & RELATED EQUIPMENTS —

TEL 048-259-2790

http://www.sanjo.co.jp

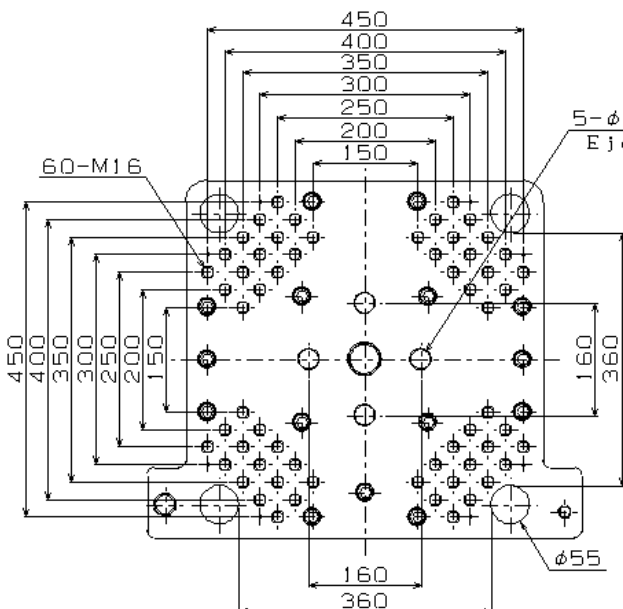
E-mail s_eigyoun@sanjo.co.jp

Stationary Upper Platen, Movable Lower Platen Type Vertical Injection Molding Machine Model : SAV - 100 - 75 - P

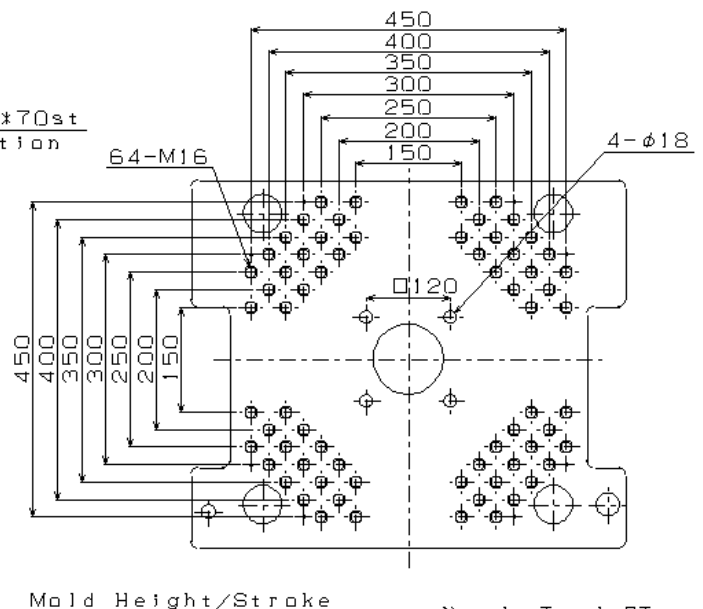
◆ Platen (Option)

- * Tap Layout
- * Ejector Rod Layout
- * Upper Ejector

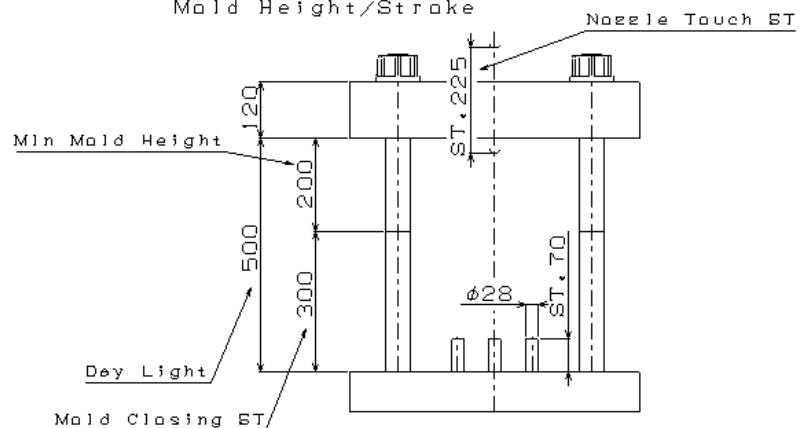
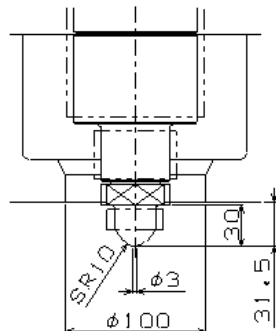
Movable Lower Platen
Stationary Platen



Stationary Upper Platen



Nozzle Details



SANJO SEIKICO.,LTD.
INJECTION MACHINES, MOLD & RELATED EQUIPMENTS